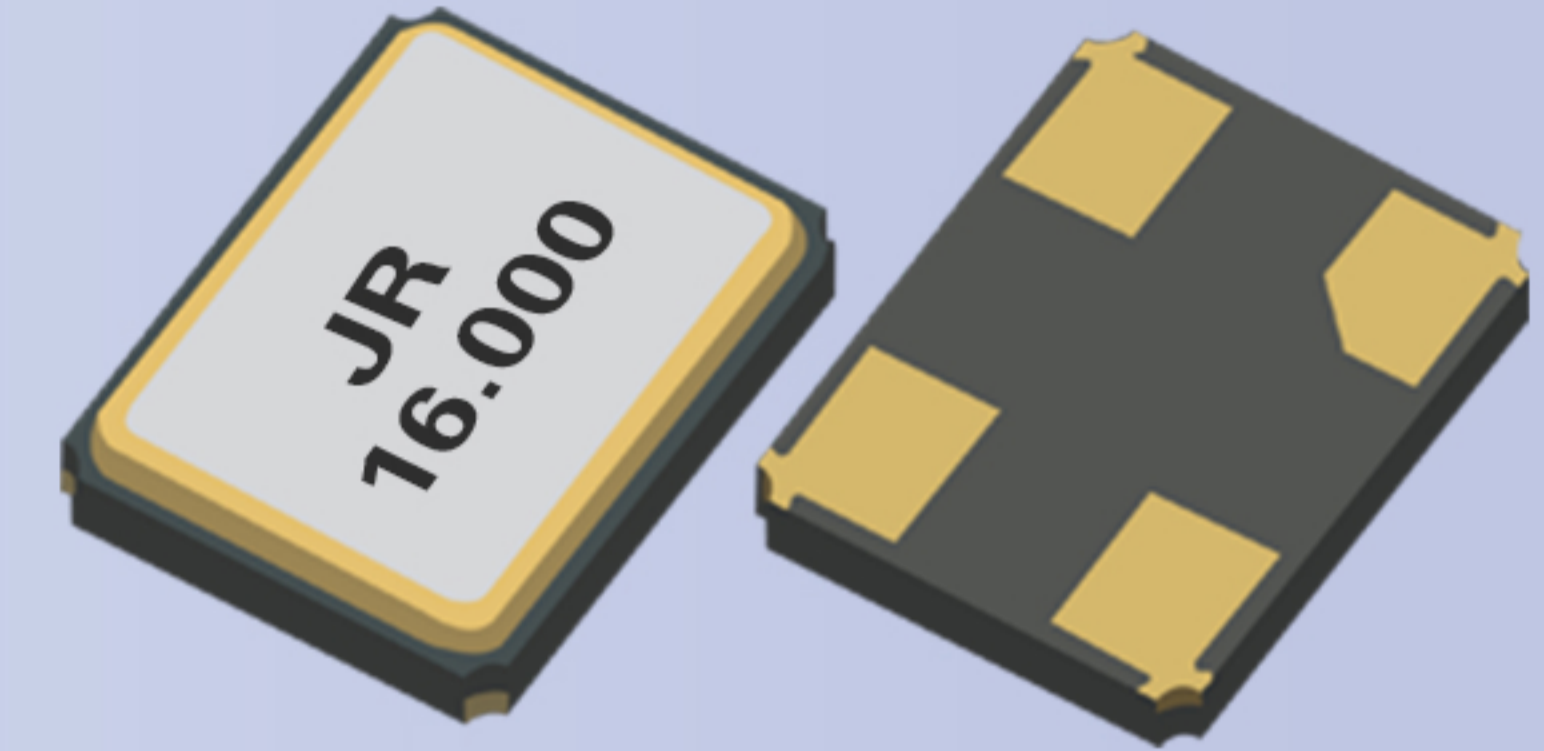


SMD Seam Sealing Crystals

3.2 x 2.5 x 0.7 mm

Features

- High precision and high frequency stability.
- Extremely good for reducing EMI effect.
- The best choice of Bluetooth, wireless communication set, DSC, PDA, and mobile phone.
- RoHS Compliant / Pb Free.



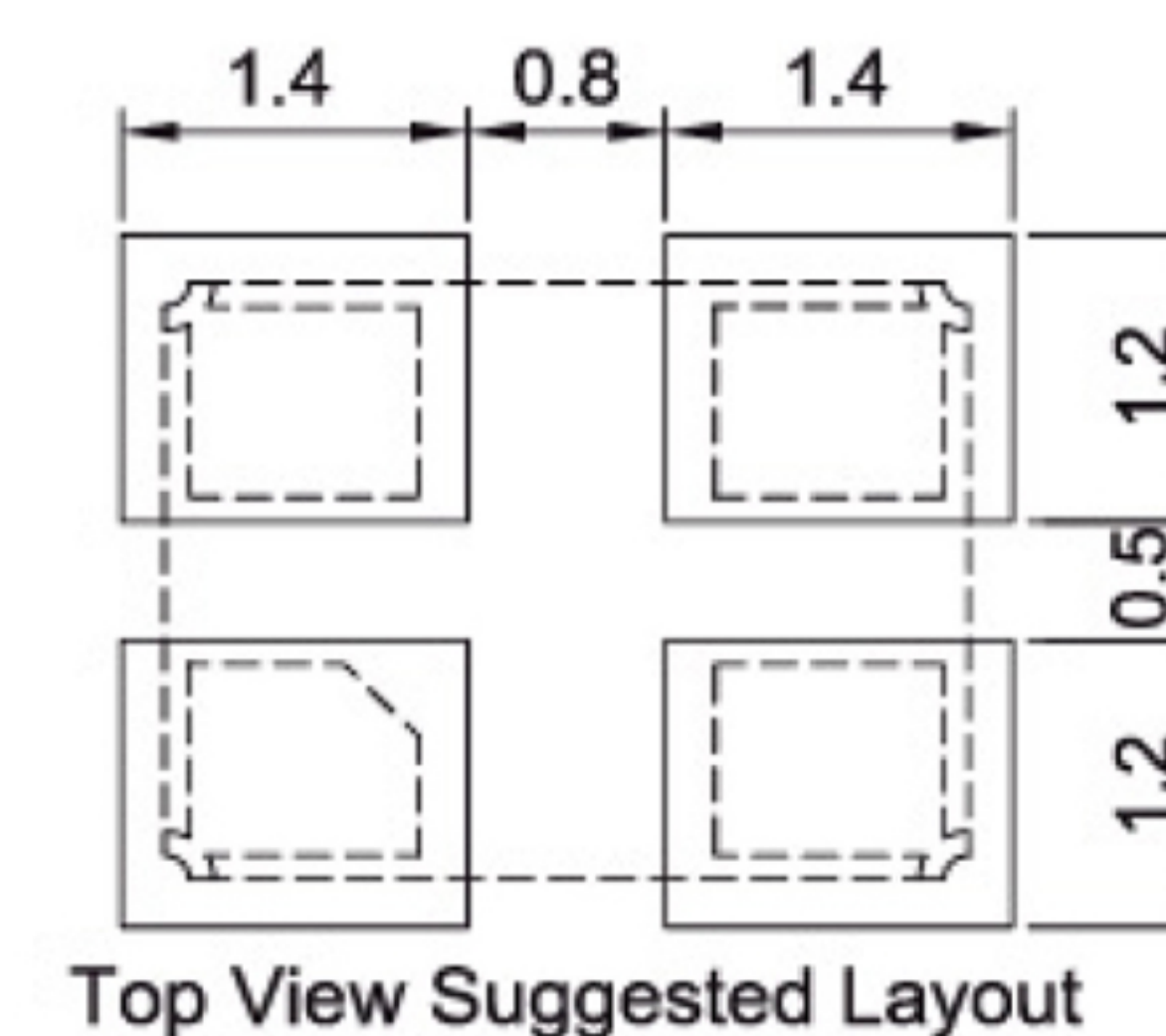
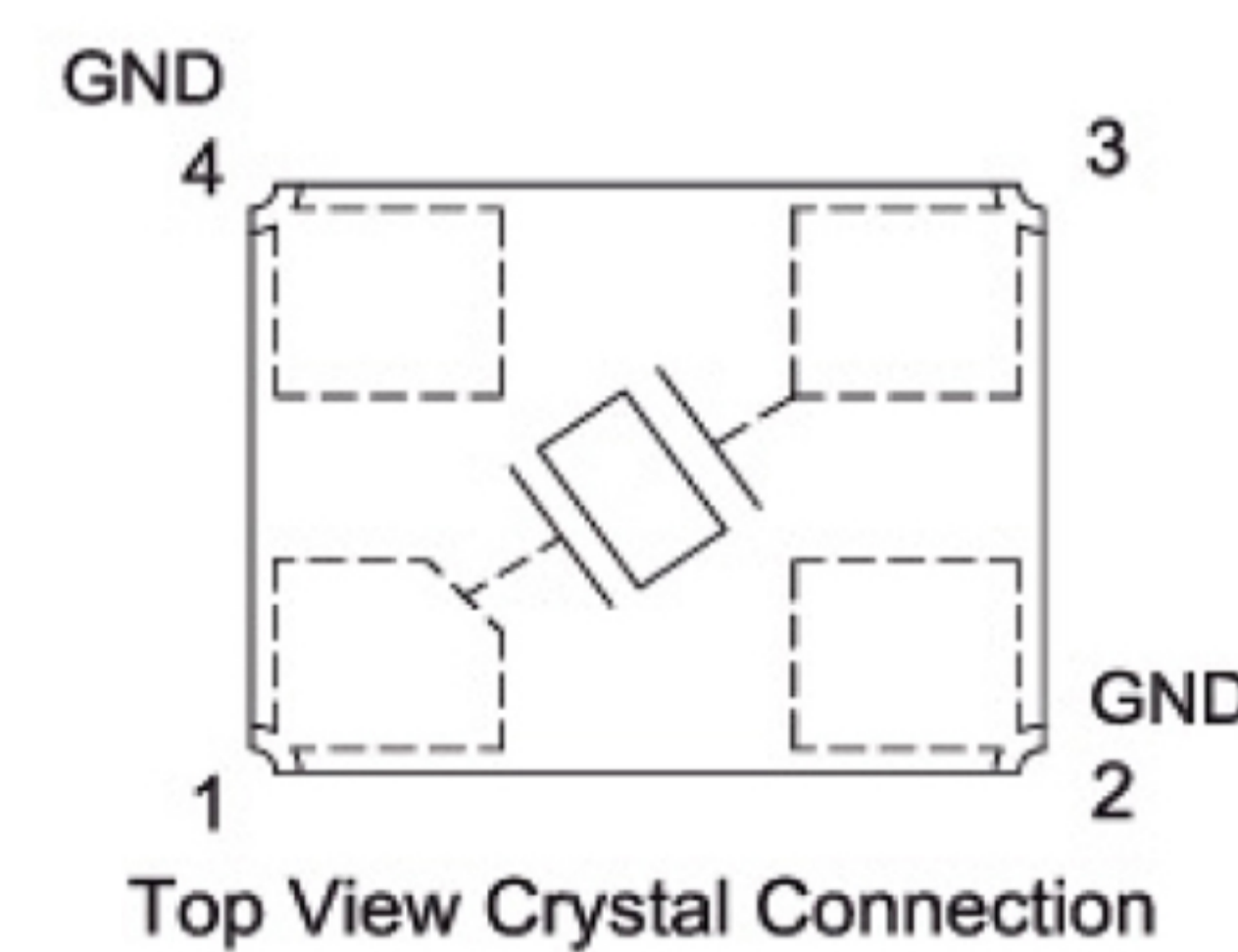
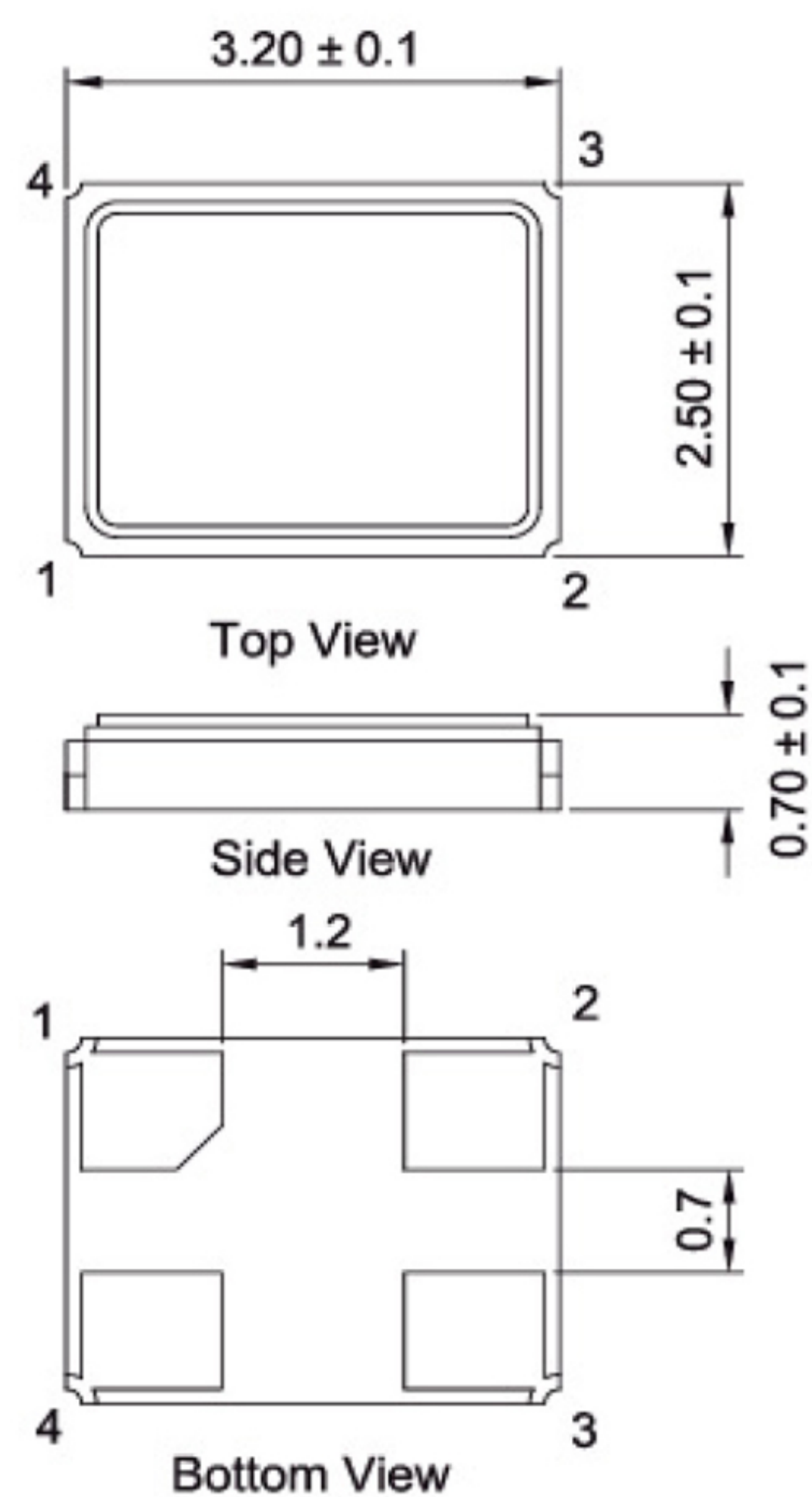
Electrical Specifications

Item / Type	3225
Frequency Range	10 ~ 114 MHz
Frequency Tolerance (at 25 °C)	± 10 ppm, or specify
Frequency Stability Over Operating Temperature Range	± 10 ppm, or specify
Operating Temperature Range	-40-85°C
Shunt Capacitance (C0)	3 pF Max.
Drive Level	1 ~ 200 μW (100 μW typical)
Load Capacitance	10 pF, or specify
Aging (at 25 °C)	± 3 ppm / year Max.
Storage Temperature Range	- 40 ~ + 85 °C

Equivalent Series Resistance(ESR)

Fundamental	
10 ~ 16 MHz	100 Ω Max.
16 ~ 20 MHz	80 Ω Max.
20 ~ 64 MHz	60 Ω Max.

Dimensions



Units: mm