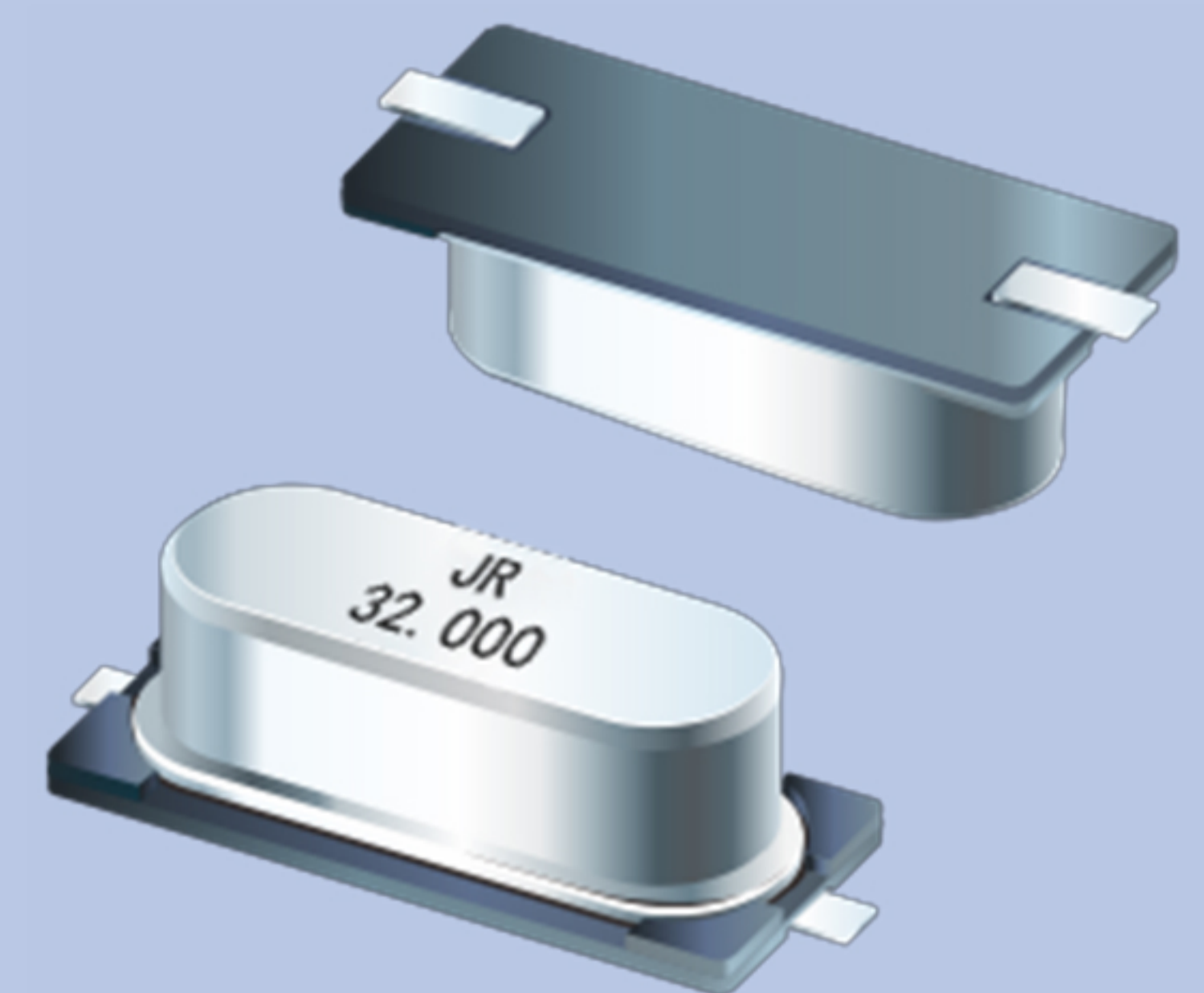


# SMD Seam Sealing Crystals 49SSMD

## Features

- High Reliability & Low Cost
- Proven Resistance Welded Metal Package
- Tight Stability & Extended Temperature
- Wide frequency range from 3MHz to 100MHz
- Applications: IoT, Consumer Electronics, HDTV, Communications, Visual Applications, etc.



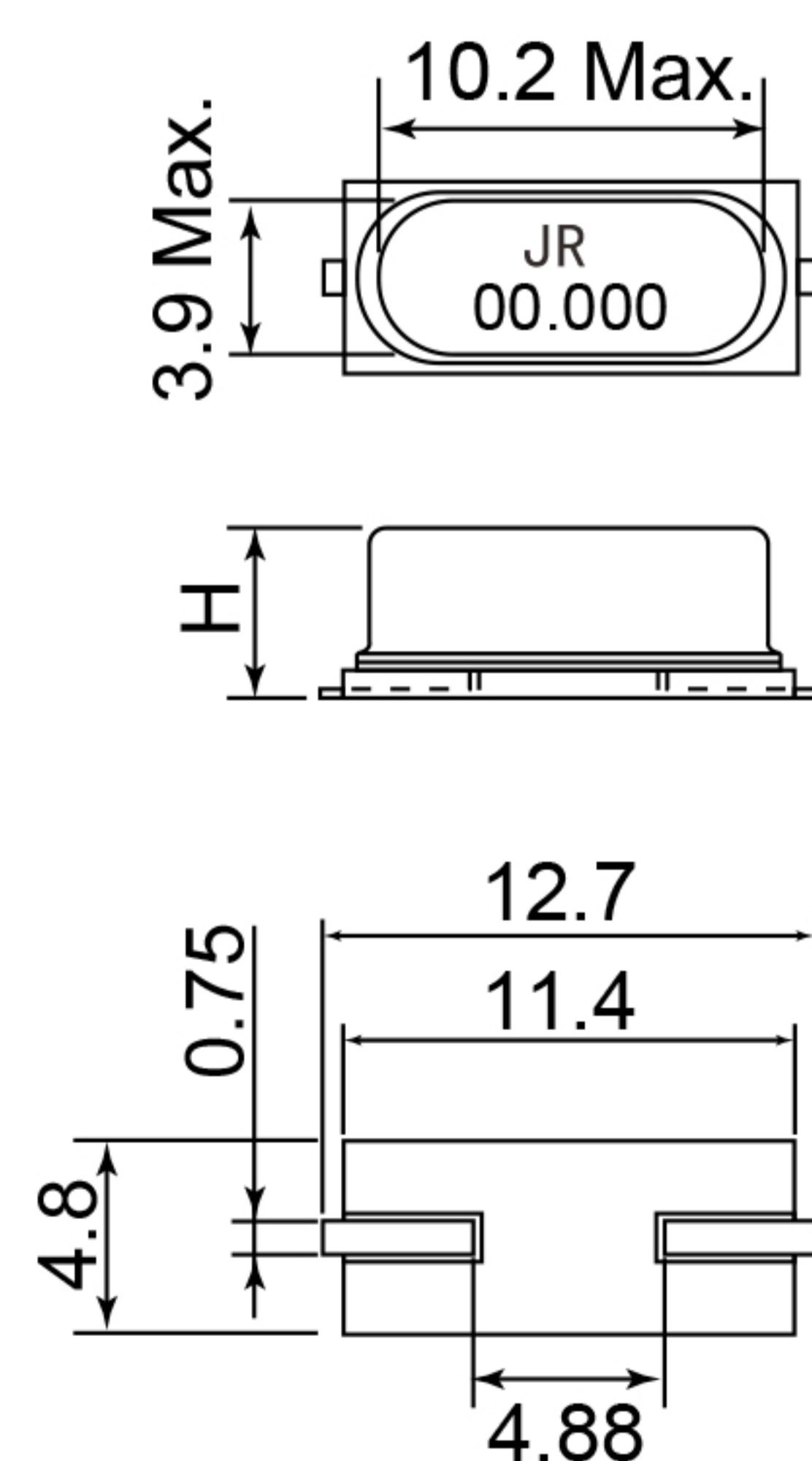
## Electrical Specifications

Item / Type	49SSMD
Frequency Range	3.2768~100 MHz
Frequency Tolerance (at 25°C)	±10ppm, or specify
Frequency Stability Over Temperature	±10ppm, or specify
Operating Temperature Range	-40~85°C
Shunt Capacitance (C <sub>0</sub> )	7pF Max.
Drive Level	1~500μW (300μW Typ.)
Load Capacitance	16pF, 20pF, or specify
Aging (at 25°C)	±3ppm /year Max.
Storage Temperature Range	-55~+125°C
Packing Unit	200pcs.

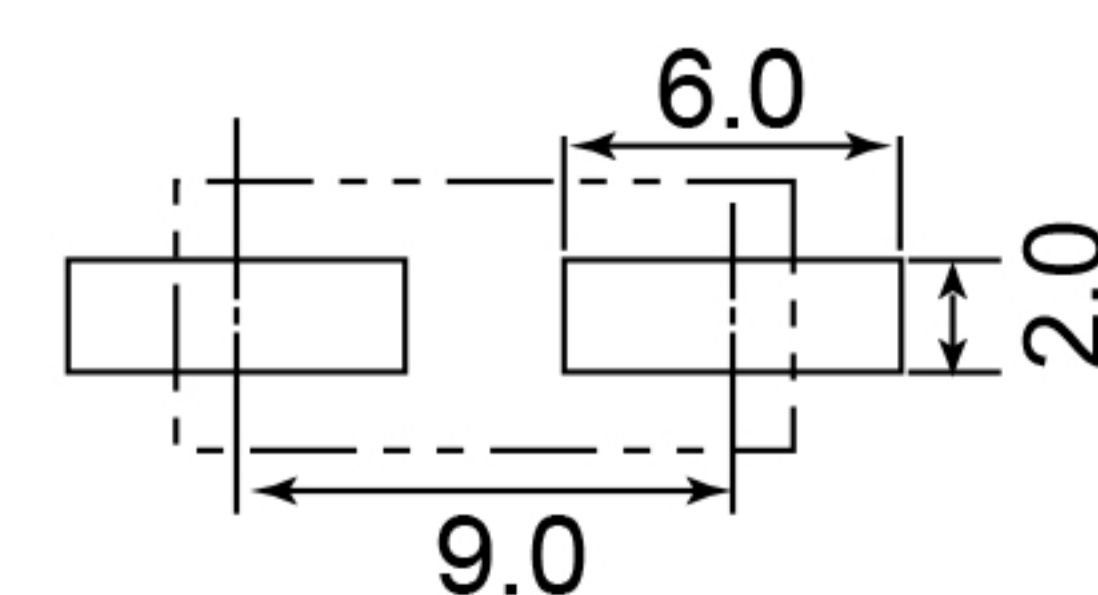
## Equivalent Series Resistance(ESR)

Fundamental		3rd Overtone	
3~3.79MHz	200Ω Max.	27~30MHz	100Ω Max.
3.8~5.0MHz	150Ω Max.	30~50MHz	80Ω Max.
5~10MHz	80Ω Max.	50~100MHz	60Ω Max.
10~14MHz	40Ω Max.		
14~36MHz	30Ω Max.		

## Dimensions



TYPE	H
SMD	4.0
SSMD	3.0



Tolerance: ±0.2

Units: mm