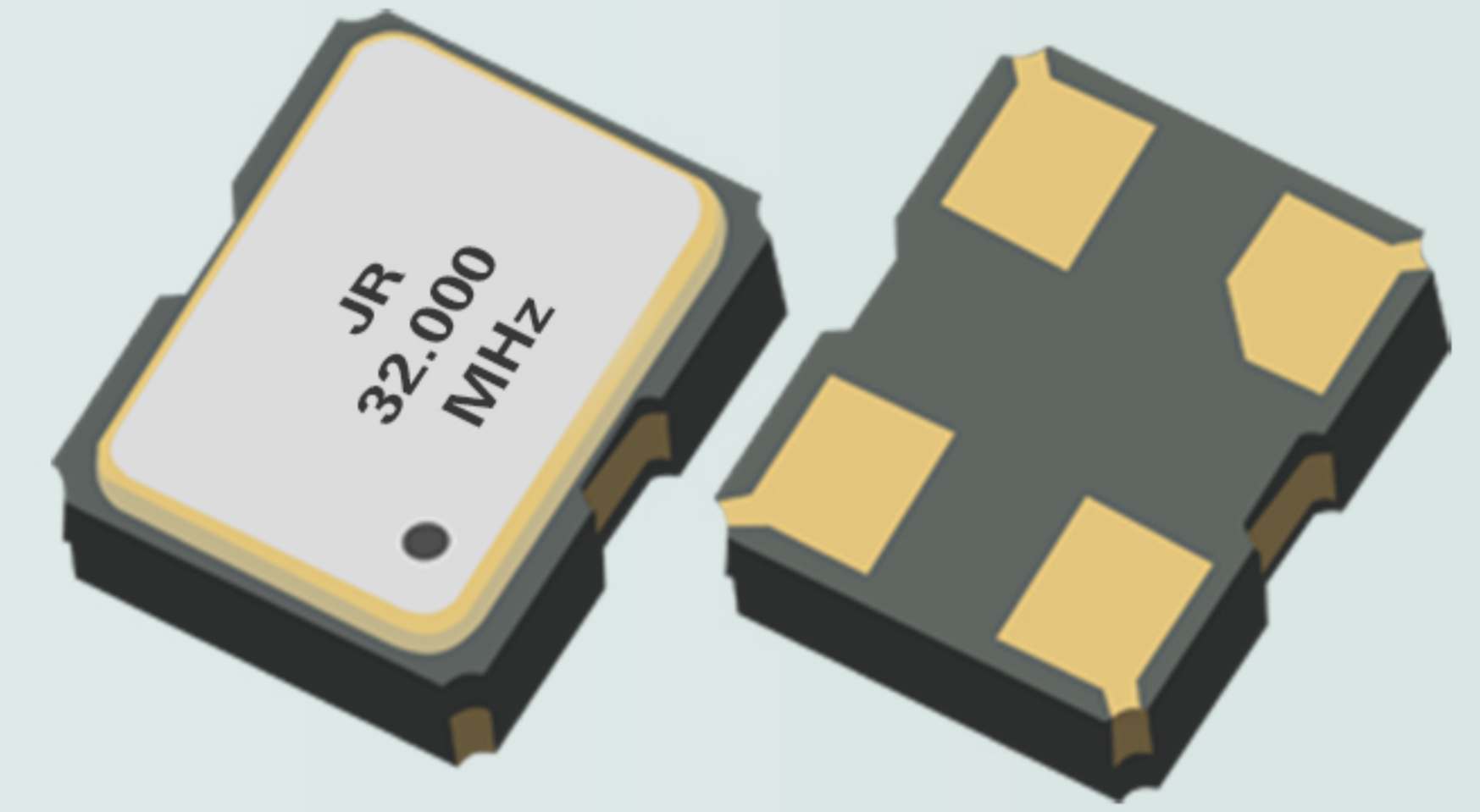


SMD Crystal Oscillators- CMOS Output 2.0x1.6x0.8mm

Features

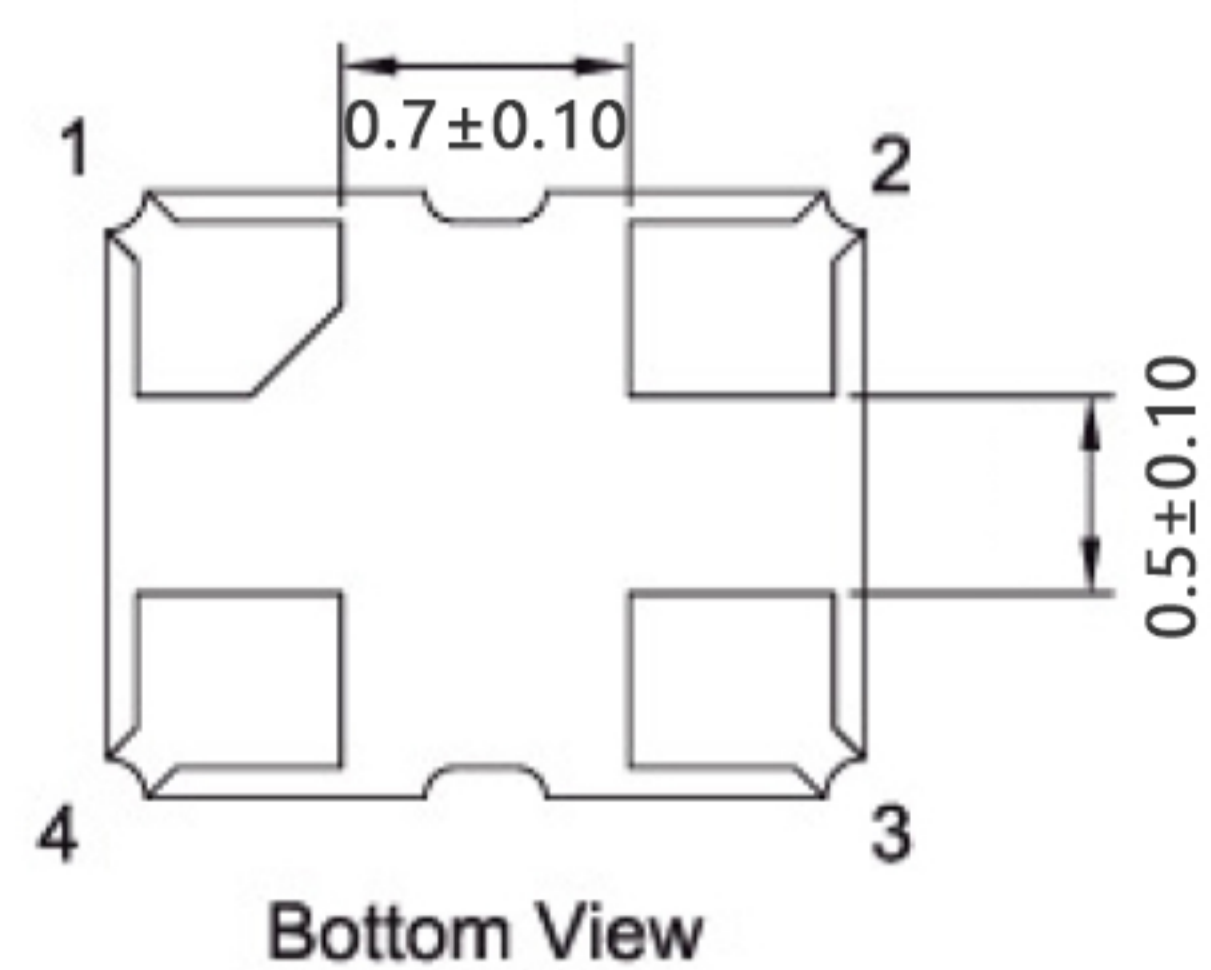
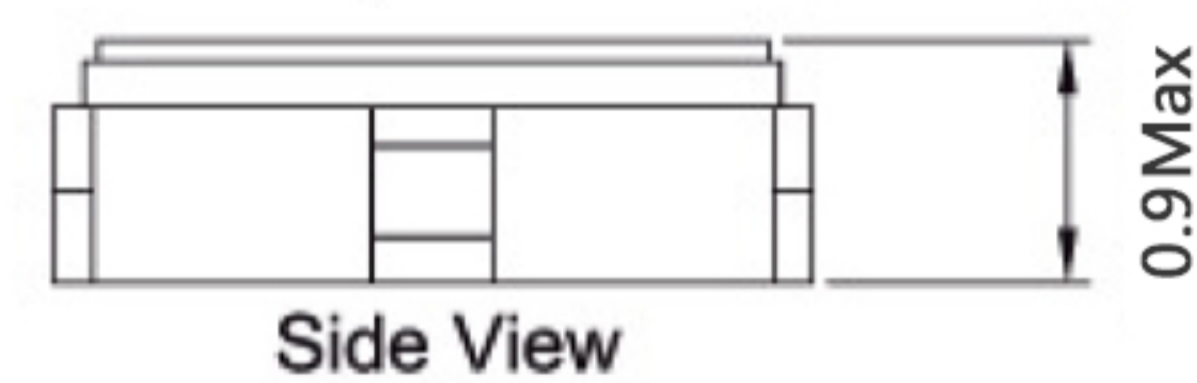
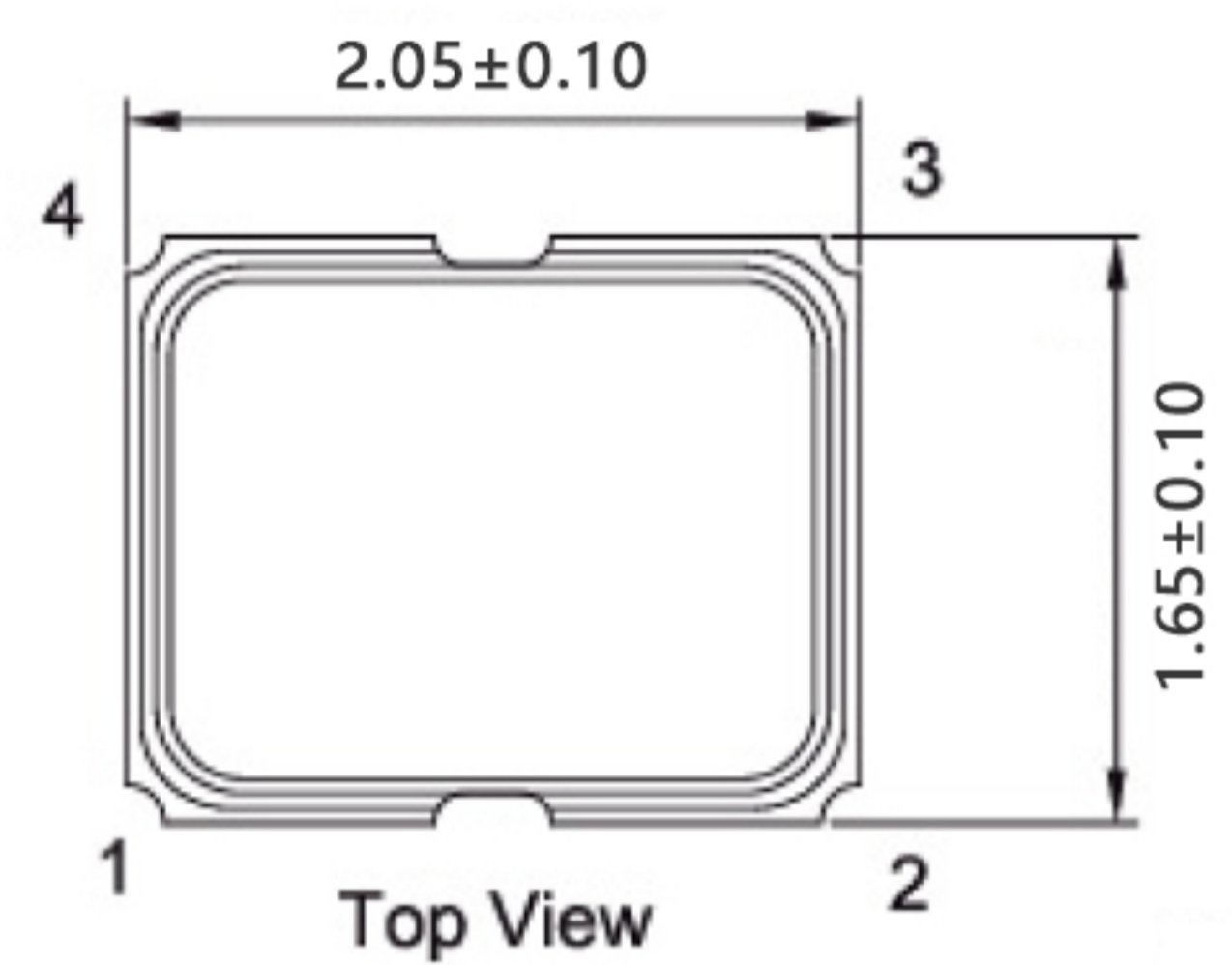
- Ultra Small SMD seam sealed clock crystal oscillator units.
- For applications in WLAN, Bluetooth, DSC, DSL and other IT product.
- Tri-state function available.
- RoHS Compliant / Pb Free.



Electrical Specifications

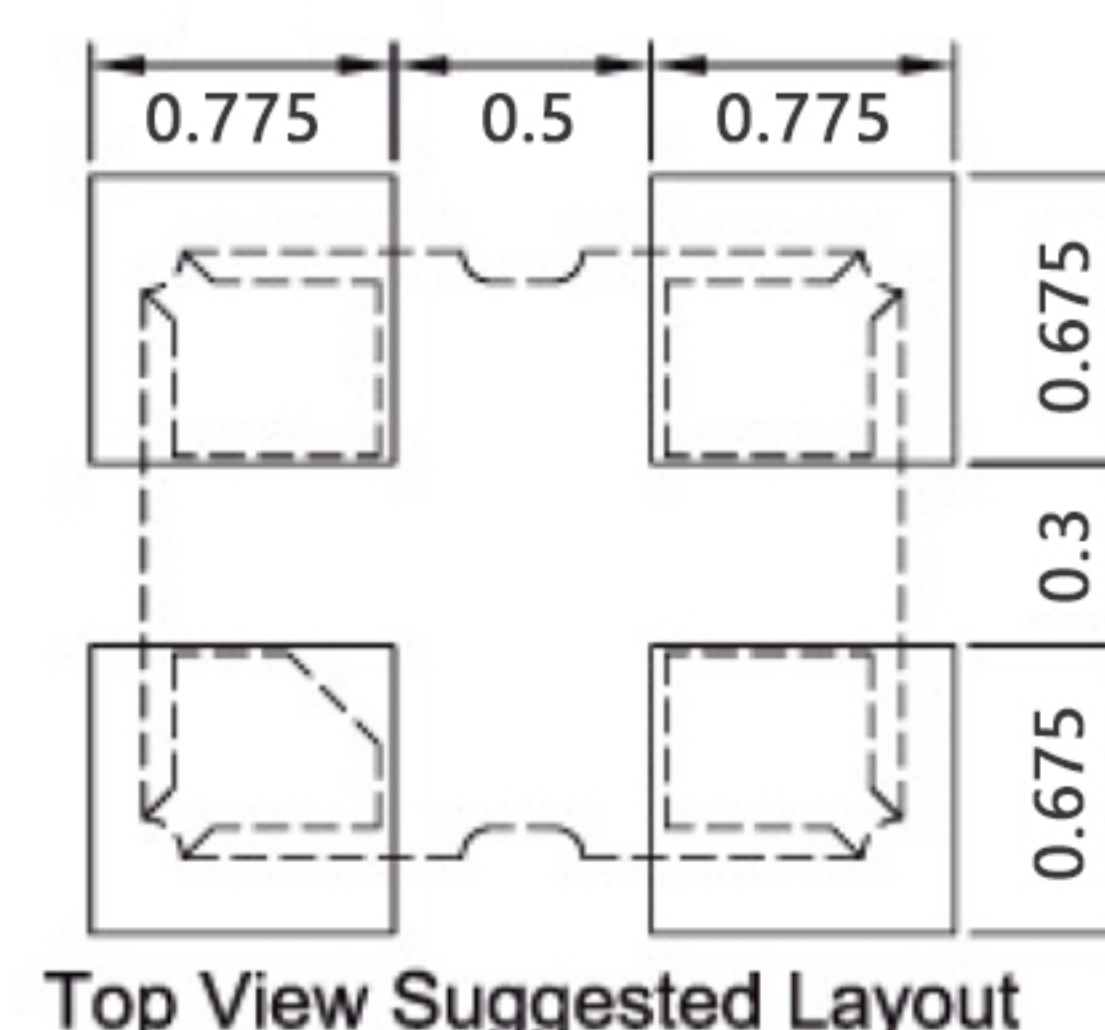
Item / Type	2016
Output Type	CMOS
Output Load	15 pF , or specify
Oscillation Mode	Fundamental
Supply Voltage	3.3 V (1.8 V , 2.5 V available)
Frequency Range	4~100MHz
Frequency Stability	±10 ppm, ±25ppm
Operating Temperature Range	-40~85°C
Storage Temperature Range	-40~85°C
Voltage Vol (Max.) / Voh (Min.)	0.1 VDD / 0.9 VDD
Rise (Tr) / Fall (Tf) Time	5 ns Max.
Supply Current	10 mA Max.
Symmetry	45 ~ 55 %
Start-up Time	5 ms Max.
Phase Jitter (12 KHz ~ 20 MHz)	1 ps Max.
Aging (at 25 °C)	± 3 ppm / year Max.

Dimensions



PAD FUNCTION:

- 1: ENABLE CONTROL
- 2: GND
- 3: OUT
- 4: VDD



Units: mm