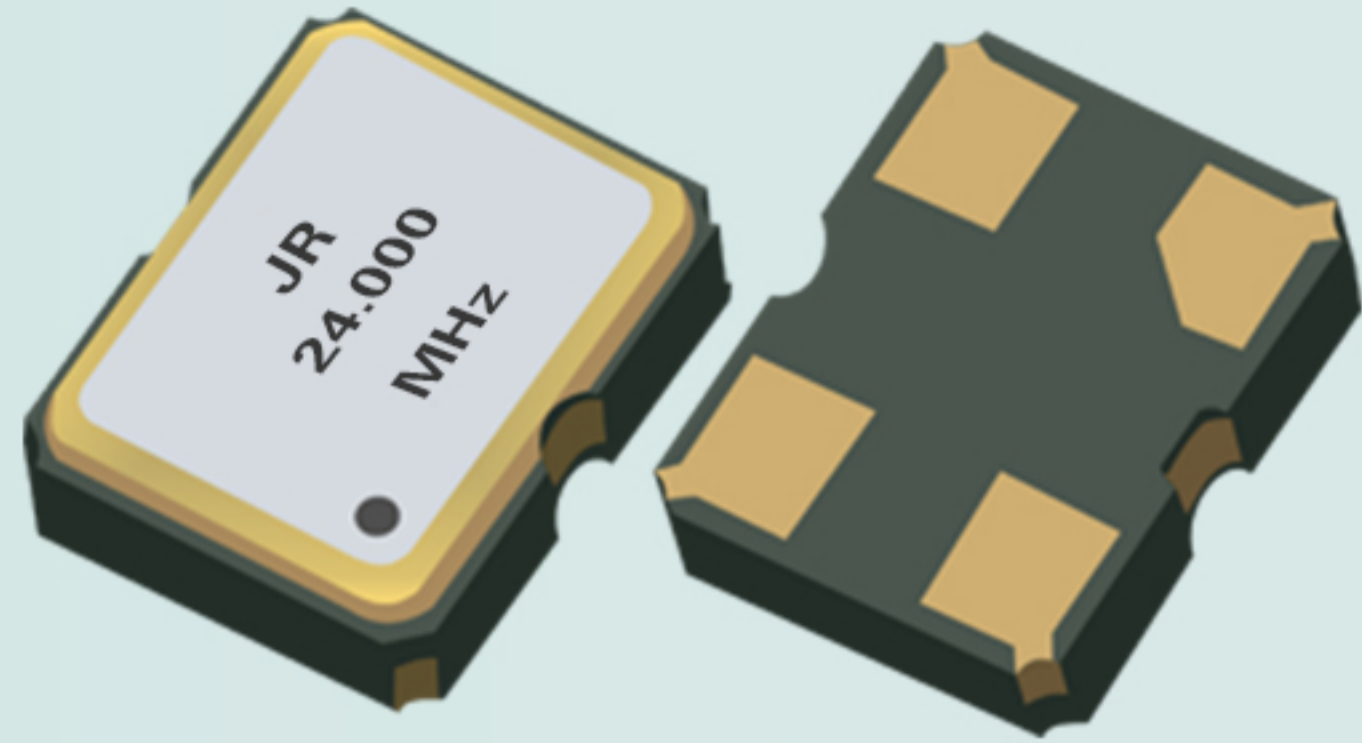


# SMD Crystal Oscillators- CMOS Output 3.2 x 2.5 x 1.0 mm



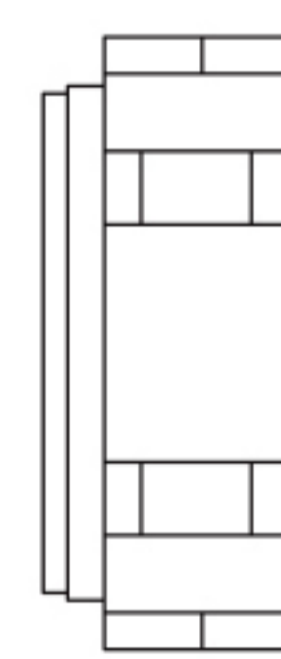
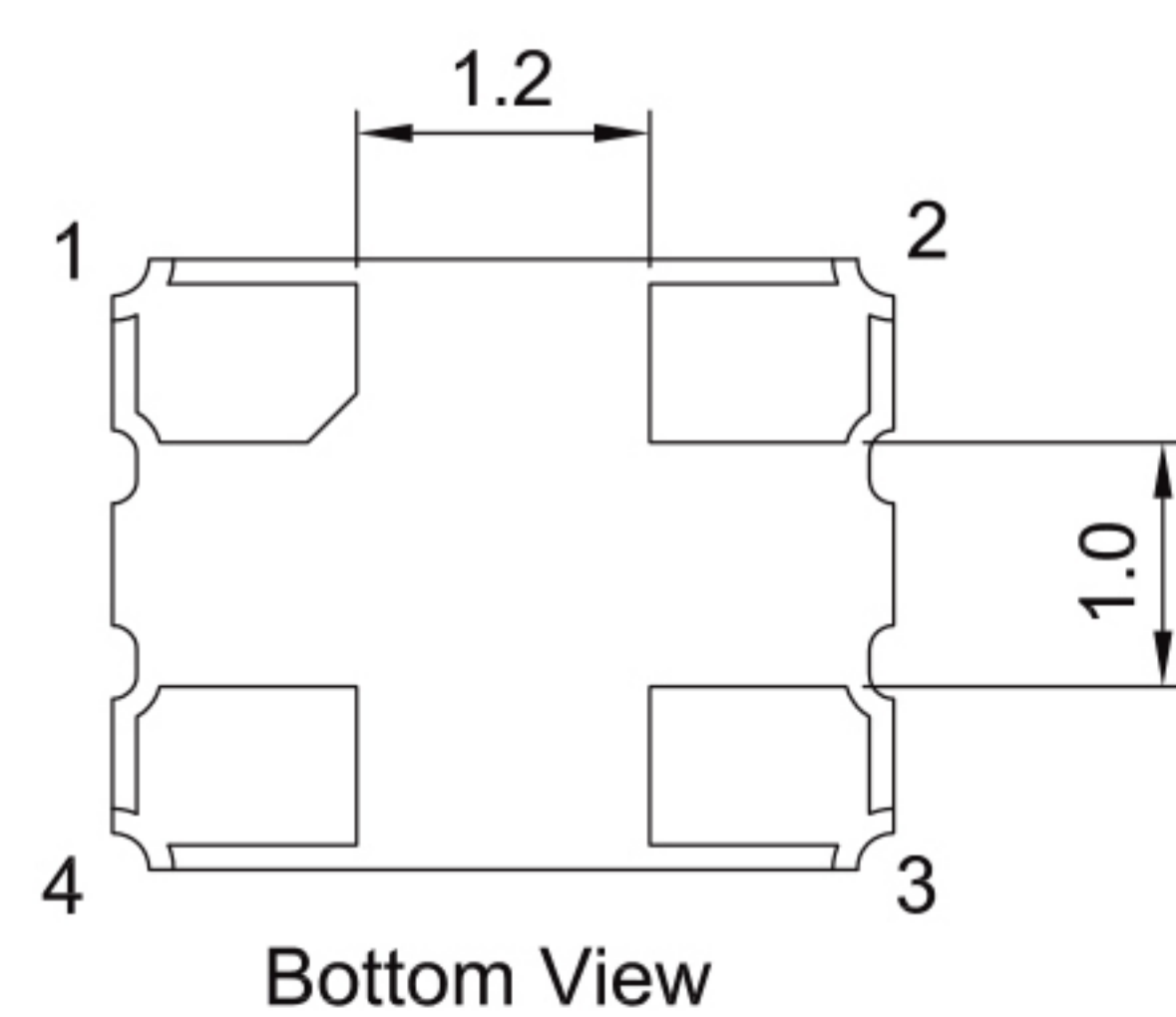
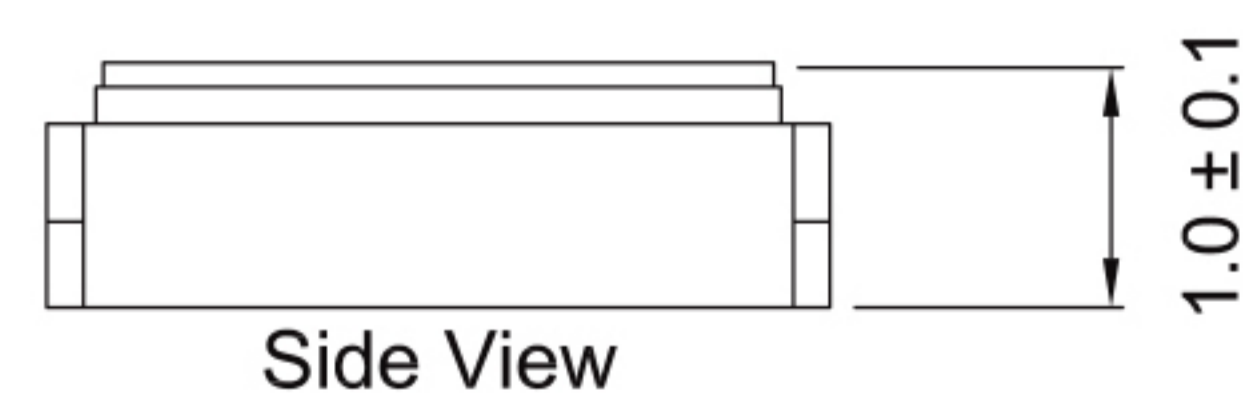
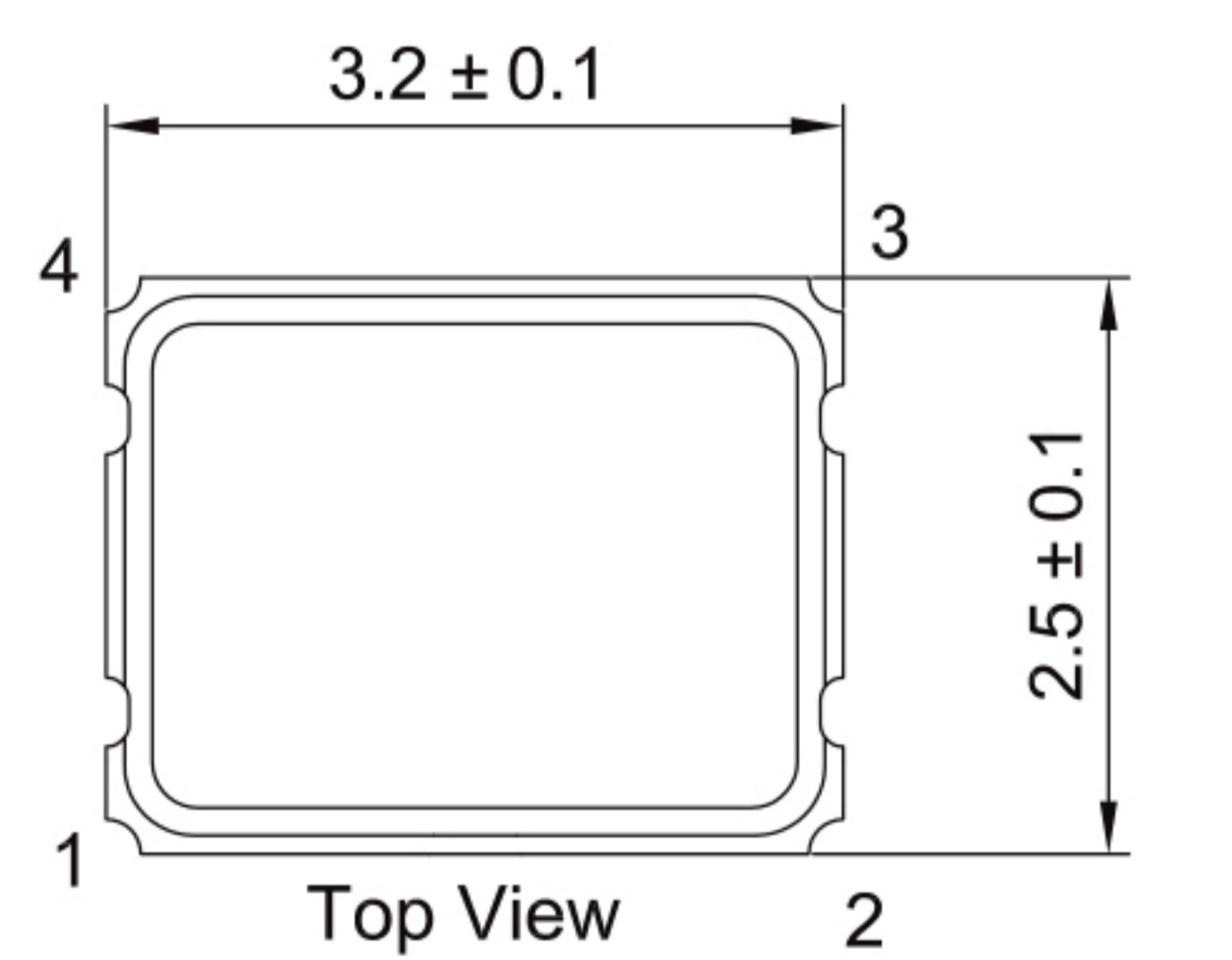
## Features

- Ultra Small SMD seam sealed clock crystal oscillator units.
- For applications in WLAN, Bluetooth, DSC, DSL and other IT product.
- Tri-state function available.
- RoHS Compliant / Pb Free.

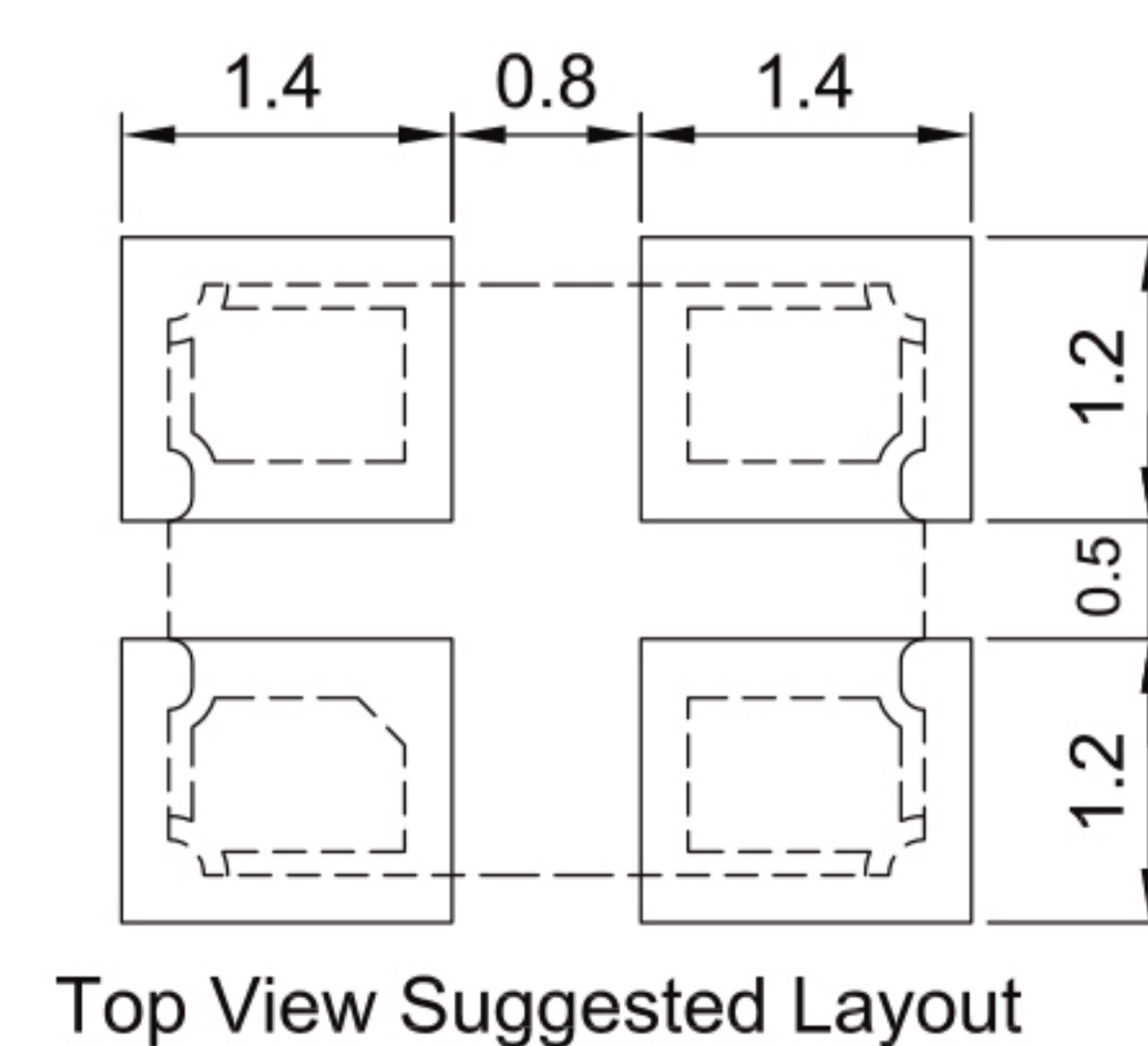
## Electrical Specifications

Item / Type	3225	
Output Type	CMOS	
Output Load	15 pF , or specify	
Oscillation Mode	Fundamental / 3rd Overtone	
Supply Voltage	1.8 V	2.5 V , 2.8 V , 3.3 V
Frequency Range	1~125MHz	
Frequency Stability	±10 ppm, ±25ppm	
Operating Temperature Range	-40~125°C	
Storage Temperature Range	-40~125°C	
Voltage Vol ( Max. ) / Voh ( Min. )	0.1 VDD / 0.9 VDD	
Rise ( Tr ) / Fall ( Tf ) Time	8 ns Max.	
Supply Current	15 mA Max.	
Symmetry	45 ~ 55 %	
Start-up Time	5 ms Max.	
Phase Jitter ( 12 KHz ~ 20 MHz )	1 ps Max.	
Aging ( at 25°C )	± 3 ppm / year Max.	

## Dimensions



PAD FUNCTION:  
 1: ENABLE CONTROL  
 2: GND  
 3: OUT  
 4: VDD



Units: mm