

Product Features

1. 4 pad AuSn sealing crystal
2. Extremely small SMD type crystal units
3. Application for smart phone , sip module , variety of compact portable consumer products reference clocks
4. High precision and frequency stability
5. High reliable environmental performance
6. RoHS and REACH Compliant , Pb-free , Halogen-free
7. Industry Standard Package :
1.2*1.0*0.33mm (8J Series)

Application :

- Wearable devices
- Wi-Fi and BT or other wireless module
- IoT devices
- Smart phone
- Space limited application



Test condition

Ambient temperature : $25 \pm 5^\circ\text{C}$

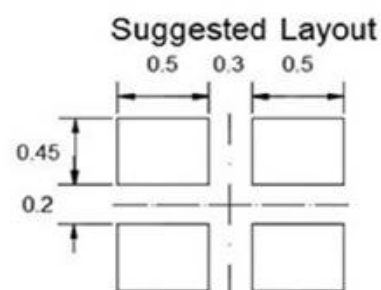
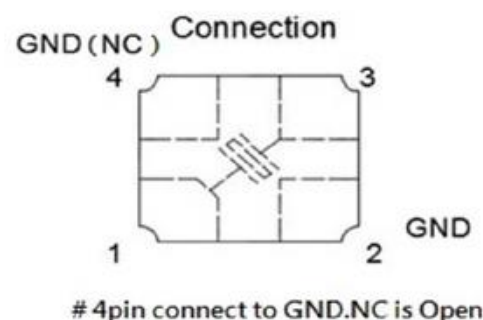
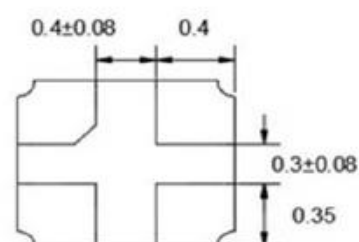
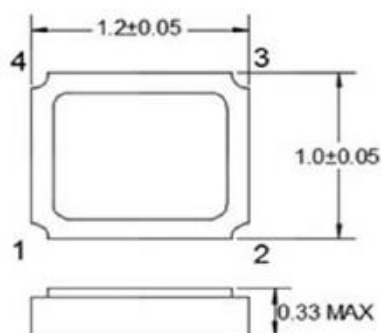
Relative humidity : 40% ~ 70%

● Table 1 . Electrical Specifications

Parameters	Symbol	Min.	Typ.	Max.	Units	Notes
Nominal Frequency	F	24 ~ 76.8			MHz	
Frequency Tolerance	FT	± 10			ppm	@ $25^\circ\text{C} \pm 3^\circ\text{C}$
Frequency Stability Over Operating Temp. Range (Reference 25°C)	ST	± 15			ppm	@ $-40 \sim 85^\circ\text{C}$
		± 30				@ $-40 \sim 105^\circ\text{C}$
Operating Temperature	Topr	-40	25	105	$^\circ\text{C}$	
Load Capacitance	CL	8 , 10 , 12 or specify			pF	
Drive Level	DL	-	100	200	μW	
Equivalent Series Resistance	ESR	-	-	100	Ohm	24~32MHz
		-	-	80		37.4~48MHz
		-	-	60		>48MHz
Aging	-	± 3			ppm	1st Year

Note : The table shows common spec. if you have special spec. requirement , please feel free to contact our salesperson.

● Dimensions



(Unit : mm)